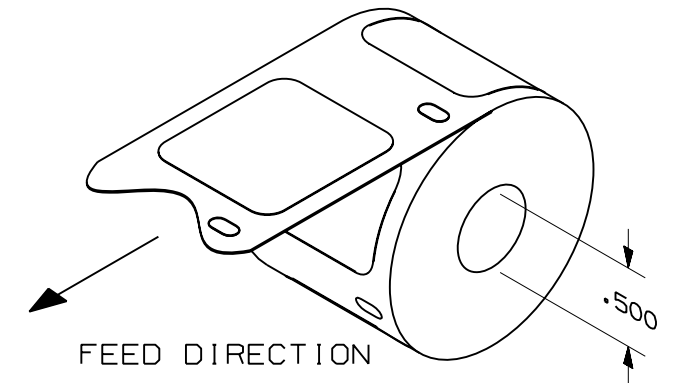


DETAIL A
SCALE 2X



- NOTES:
 1. SEE MFG. DRAWING NO. A61314.
 2. THE DIMENSIONS IN [] ARE IN MILLIMETERS.

PANDUIT PART NO.	MATERIAL	A	B	C	E	LABELS/ROLL
C150X030Y1C	GM2	1.13	0.300	1.500	0.250	100
C195X040Y1C	GM2	0.85	0.400	1.950	0.300	100
C261X035Y1C	GM2	0.85	0.350	2.610	0.265	75
C282X030Y1C	GM2	0.85	0.300	2.820	0.305	75
C288X040Y1C	GM2	0.85	0.400	2.875	0.250	75
C390X030Y1C	GM2	0.85	0.300	3.900	0.350	50
C750X050Y1C	GM2	0.85	0.500	7.500	0.250	30
C788X050Y1C	GM2	0.85	0.500	7.875	0.250	30

CAD FILENAME/LAYERS: I00743NE_C10454_CxxxXxxxY1C_00.prt									
<h1>PANDUIT</h1> CORP TINLEY PARK, ILLINOIS CUSTOMER DRAWING LSB COMPONENT LABELS C***X***Y1C (SMALL LABEL GAP)									
UNLESS OTHERWISE SPECIFIED, DIMENSIONAL TOLERANCES ARE: (.X) ± .030 (,.XXX) ± .005 (.XX) ± .015 ANGLES ±					UNLESS OTHERWISE SPECIFIED, ALL DIMENSIONS ARE GIVEN IN INCHES, THIRD ANGLE PROJECTION				
1	5-11-07	PSG		ADDED NEW PART NUMBER C150X030Y1C	4987	R			
0	8-29-06	RVU		DRAWING RELEASE	4670	R			
REV	DATE	BY	CHK	DESCRIPTION	ECN	R	CUST	SUP	
							DRAWN BY RVU	MAT'L: SEE TABLE	SCALE NTS
							DATE 8-29-06		DRAWING NO. C10454
							CHK'D		DWG B SIZE